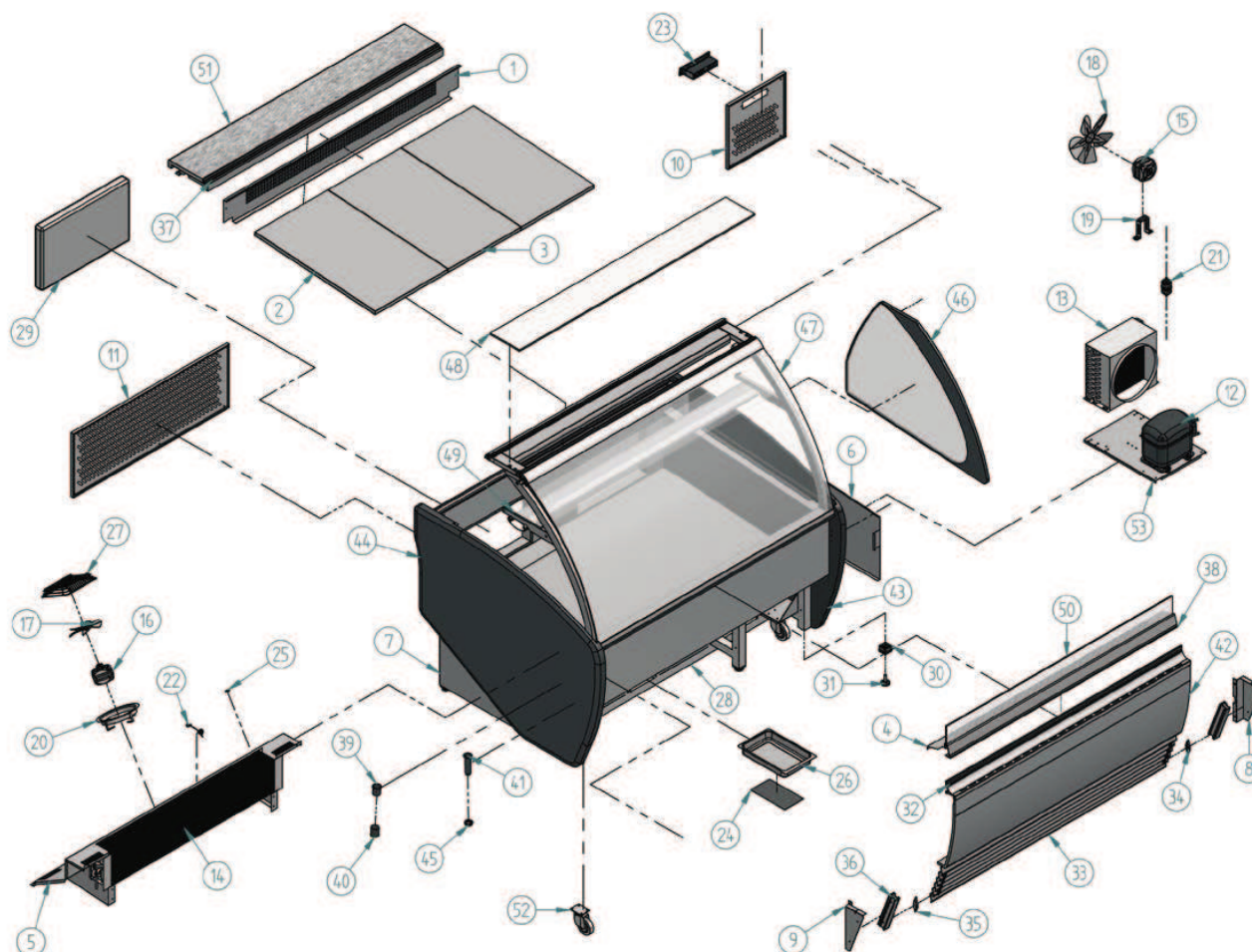


VAR 1500 R



| Nº | Código | Descripción | Cantidad |
|----|-----------|------------------------------------|----------|
| 1 | 10AR1531 | DUELA ARIES 1500 | 1 |
| 2 | 10AR1540 | BAND ARIES 1500 | 2 |
| 3 | 10AR1541 | BAND CENT ARIES 1500 | 1 |
| 4 | 10AR1544 | DEFLECT DELANT ARIES 1500 | 1 |
| 5 | 10AR1555 | PROTECT EVAP ARIES 1500 | 1 |
| 6 | 10ARH1560 | COST DCH DEC ARIES | 1 |
| 7 | 10ARH1561 | COST IZO DEC ARIES | 1 |
| 8 | 10ARH1571 | SOP DCH LAMAS ARIES | 1 |
| 9 | 10ARH1572 | SOP IZO LAMAS ARIES | 1 |
| 10 | 10ARH1575 | C/MANDOS ARIES R | 1 |
| 11 | 10ARH1576 | REJILLA TRAS ARIES 1500 | 1 |
| 12 | 301015 | COMPRESOR 1/2 R404a | 1 |
| 13 | 302X18 | CONDENSADOR 11X4 CON BAFLE L/A 270 | 1 |
| 14 | 303V67 | EVAPORADOR ARIES 1500 R | 1 |
| 15 | 304X01 | MOTOVENT. 10W IH-88 D-250I | 1 |
| 16 | 304X02B | MOTOV. 5w AROJH-75 D-154 | 1 |
| 17 | 304X05 | PALA 154 mm | 1 |
| 18 | 304X07 | PALA 250 mm | 1 |

| Nº | Código | Descripción | Cantidad |
|----|---------|-------------------------------------|----------|
| 19 | 304X10 | PIE GRANDE (84 mm) | 1 |
| 20 | 304X12 | ARO 51161-2-4037 PALA 154 mm | 1 |
| 21 | 305X03 | DESHIDRATADOR CERAMICO | 1 |
| 22 | 308X04 | SONDA MICROPROC. NTC | 1 |
| 23 | 308X28 | MICRO 3 RELE DIAZUL MRETRO | 1 |
| 24 | 406X32 | PLACA RESIT. 200 w TERMOST. | 1 |
| 25 | 407X03 | PASACABLE 9 mm | 1 |
| 26 | 501X21 | BANDEJA EVAP. AN/VIT 398 x 190 | 1 |
| 27 | 504X35 | REJILLA EVAPORADOR STAR | 1 |
| 28 | 505X96 | RODAPIE ARIES 1500 R. | 1 |
| 29 | 506X105 | PUERTA ARIES | 2 |
| 30 | 506X35 | PATA REG. 40 x 40 | 6 |
| 31 | 506X86 | REGULADOR MT M10 | 6 |
| 32 | 601X166 | PERFIL REF.10640 PLATA GRAT.REP. 6m | 1 |
| 33 | 601X167 | PERF. LAMA REF. 2271 PLATA | 6 |
| 34 | 601X168 | SOPORTE LAMA IZDA. TC2271 | 5 |
| 35 | 601X169 | SOPORTE LAMA DCHA. TC2271 | 5 |
| 36 | 601X170 | PERF. LAMA REF. 4553 PLATA | 2 |

| Nº | Código | Descripción | Cantidad |
|----|----------|-------------------------------------|----------|
| 37 | 601X90 | PERFIL REF-2438 PLATA 15.4 M | 1 |
| 38 | 602V38 | PERFIL TABICA ARIES RECTO RAAL 7037 | 1 |
| 39 | 603X124 | PASA-MUROS INTERIOR | 1 |
| 40 | 603X125 | PASA-MUROS EXTERIOR | 1 |
| 41 | 603X16 | DESAGUE 3/4 | 1 |
| 42 | 603X194 | DEC FRONTAL ARIES/LIBRA L. 1450 | 1 |
| 43 | 603X197 | COSTADO ABS ARIES DERECHO | 1 |
| 44 | 603X198 | COSTADO ABS ARIES IZQUIERDO | 1 |
| 45 | 603X74 | TUERCA 3/4 GAS | 1 |
| 46 | 604V199 | TERMOPAN 4+6+4 COSTADO ARIES | 2 |
| 47 | 604V201 | CRISTAL FRONTAL ARIES 1500 | 1 |
| 48 | 604V206 | ENCIMERA CRISTAL ARIES 1500 | 1 |
| 49 | 604V210 | ESTANTE CRISTAL ARIES 1500 | 1 |
| 50 | 604V213 | TABICA CRISTAL ARIES 1500 | 1 |
| 51 | 606S02 | ENCIMERA QUARZ ARIES 1500 | 1 |
| 52 | 705X22 | RUEDA GOMA GRIS 80 mm | 4 |
| 53 | VITBANC. | BANCADA VITBANC. | 1 |

