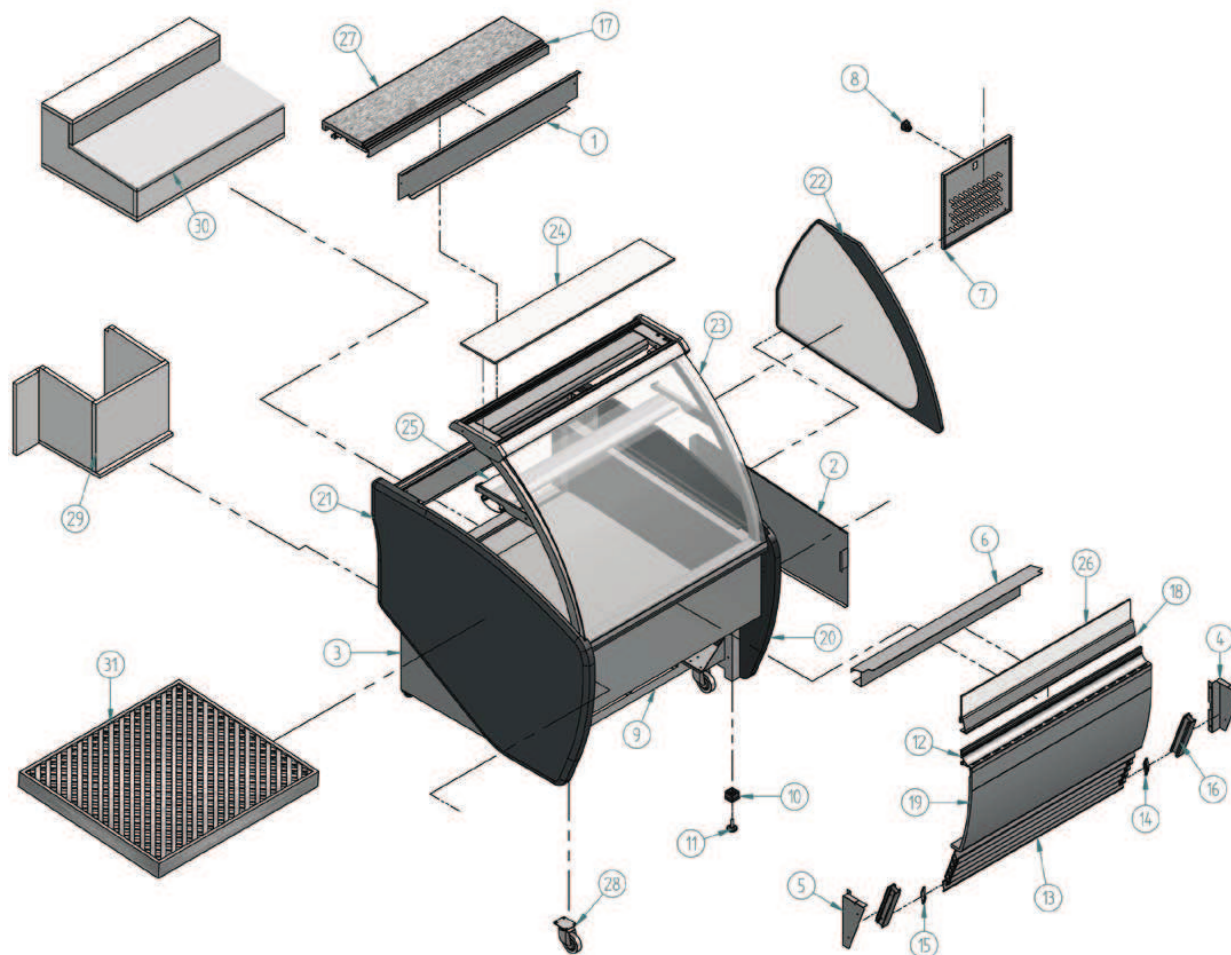


VAR 1000 N



| Nº | Código | Descripción | Cantidad |
|----|-----------|------------------------------|----------|
| 1 | 10ABM1031 | DUELA DEFLECTOR AIRE 1000 BM | 1 |
| 2 | 10ARH1560 | COST DCH DEC ARIES | 1 |
| 3 | 10ARH1561 | COST IZQ DEC ARIES | 1 |
| 4 | 10ARH1571 | SOP DCH LAMAS ARIES | 1 |
| 5 | 10ARH1572 | SOP IZQ LAMAS ARIES | 1 |
| 6 | 10ARN1044 | DEFLECTOR DEL 1000 N | 1 |
| 7 | 10ARN1575 | CUADRO MANDOSN | 1 |
| 8 | 405X04 | INTERRUPTOR GENERAL | 1 |
| 9 | 505X103 | RODAPIE ARIES 1000 N | 1 |
| 10 | 506X35 | PATA REG. 40 x 40 | 4 |
| 11 | 506x86 | REGULADOR MT M1D | 4 |

| Nº | Código | Descripción | Cantidad |
|----|---------|-------------------------------------|----------|
| 12 | 601X166 | PERFIL REF.10640 PLATA GRAT.REP. 6m | 1 |
| 13 | 601X167 | PERF. LAMA REF. 2271 PLATA | 6 |
| 14 | 601X168 | SOPORTE LAMA IZDA. TC2271 | 5 |
| 15 | 601X169 | SOPORTE LAMA DCHA. TC2271 | 5 |
| 16 | 601X170 | PERF. LAMA REF. 4553 PLATA | 2 |
| 17 | 601X190 | PERFIL REF.-2438 PLATA (5.4 M) | 1 |
| 18 | 602V138 | PERFIL TABICA ARIES RECTO RAAL 7037 | 1 |
| 19 | 603X193 | DEC FRONTAL ARIES-LIBRA L- 950 | 1 |
| 20 | 603X197 | COSTADO ABS ARIES DERECHO | 1 |
| 21 | 603X198 | COSTADO ABS ARIES IZQUIERDO | 1 |
| 22 | 604V199 | TERMOPAN 4+6+4 COSTADO ARIES | 2 |

| Nº | Código | Descripción | Cantidad |
|----|------------|-------------------------------|----------|
| 23 | 604V200 | CRISTAL FRONTAL ARIES 1000 | 1 |
| 24 | 604V205 | ENCIMERA CRISTAL ARIES 1000 | 1 |
| 25 | 604V209 | ESTANTE CRISTAL ARIES 1000 | 1 |
| 26 | 604V212 | TABICA CRISTAL ARIES 1000 | 1 |
| 27 | 606S01 | ENCIMERA QUARZ ARIES 1000 | 1 |
| 28 | 705X22 | RUEDA GOMA GRIS 80 mm | 4 |
| 29 | CAJMAR10N1 | CAJON MADERA INF ARIES 1000 N | 1 |
| 30 | CAJMAR15N | CAJON MADERA ARIES 1500 N | 1 |
| 31 | CESARIO | CESTO ARIES1000 | 1 |

